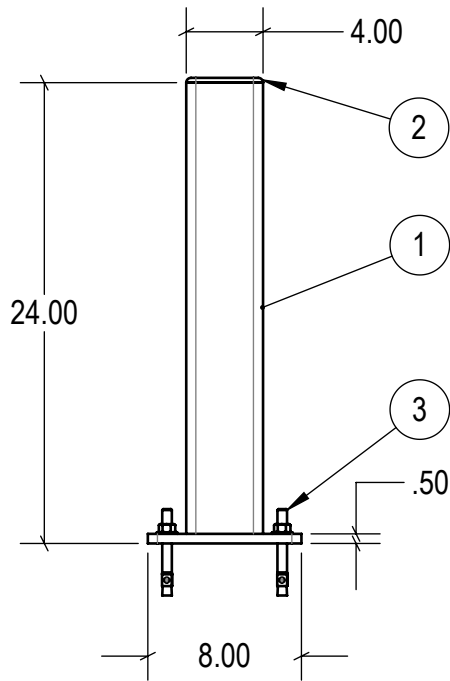




ITEM NO.	PART NUMBER	DESCRIPTION	QTY.
1	60-5124	BOLLARD: 24"H (4"x4"x1/4")	1
2	60-7519	POST CAP	1
3	60-7524	CONCRETE ANCHOR - 1/2" x 4-1/2"	4



DRAWN BY: TCHUNG	DATE: 2017-03-18	 3rd Angle	SIZE: A	
CHECKED BY:	DATE:	DESCRIPTION: BOLLARD ASSEMBLY: 24"H		
THE INFORMATION CONTAINED IN THIS DRAWING IS THE SOLE PROPERTY OF IRONGUARD SAFETY PRODUCTS ANY REPRODUCTION IN PART OR AS A WHOLE IS PROHIBITED.		SCALE: 1:10	SHEETS: 1 of 1	DRAWING NUMBER: 60-5124-A
		REV: A		