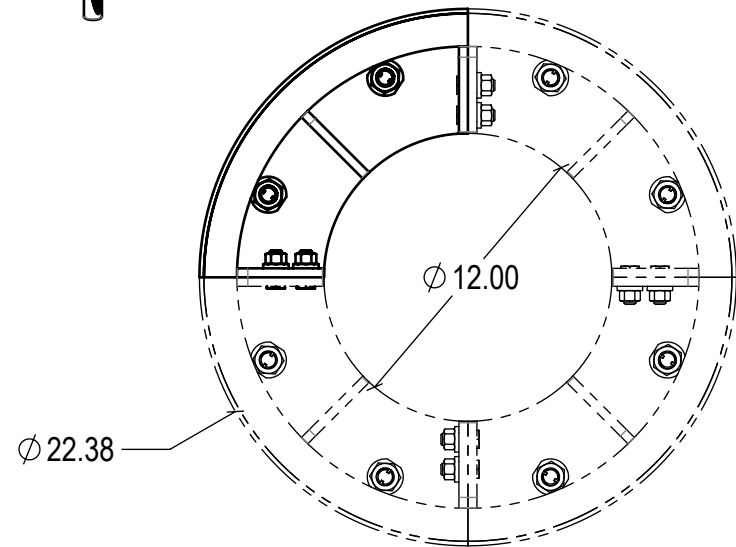
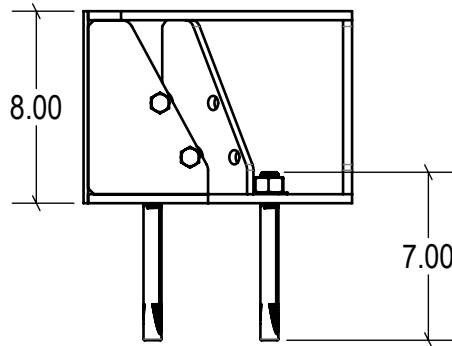
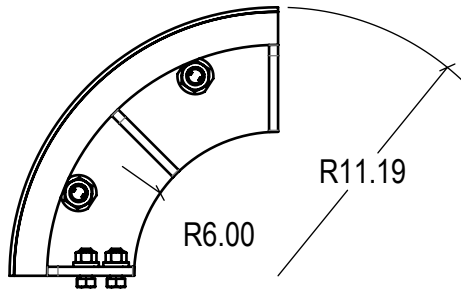
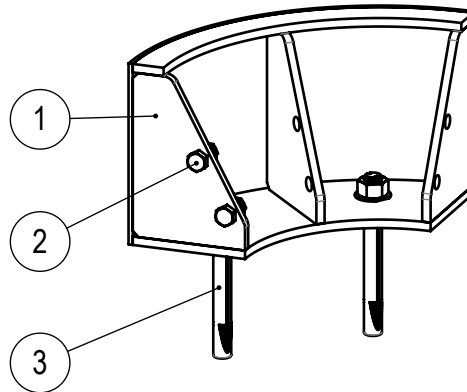




ITEM NO.	PART NUMBER	QTY.
1	60-5720	1
2	60-7525	2
3	60-7543	2



DRAWN BY: TCHUNG	DATE: 2017-03-18	 3rd Angle SIZE: A	
CHECKED BY:	DATE:		
THE INFORMATION CONTAINED IN THIS DRAWING IS THE SOLE PROPERTY OF IRONGUARD SAFETY PRODUCTS ANY REPRODUCTION IN PART OR AS A WHOLE IS PROHIBITED.		DESCRIPTION: COLUMN GUARD ASSEMBLY	
		SCALE: 1:8	SHEETS: 1 of 1