

INSTALLATION NOTES

INSPECT THE SITE AND ENSURE ALL PARTS ARE PRESENT

CLEAN THE AREA OF ANY DEBRIS BEFORE INSTALLING COLUMN GUARDS

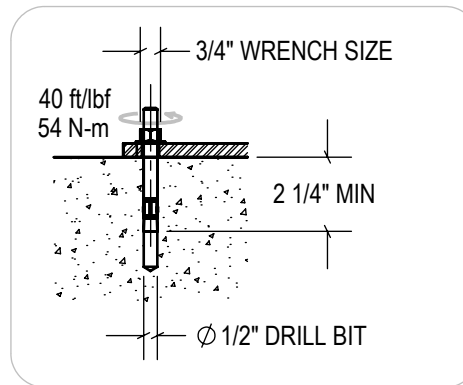
SAFETY PRECAUTIONS

USE APPROPRIATE PERSONAL PROTECTIVE EQUIPMENT SUCH AS GLOVES, SAFETY GLASSES, HEARING PROTECTION AND PROTECTIVE SHOES.

ANCHOR BOLTS

THE SUPPLIED ANCHOR BOLTS REQUIRE AN MINIMUM EMBEDDED DEPTH OF 2-1/4"

TIGHTEN THE NUT TO THE INSTALLATION TORQUE OF 40 ft/lbf [54 N-m]

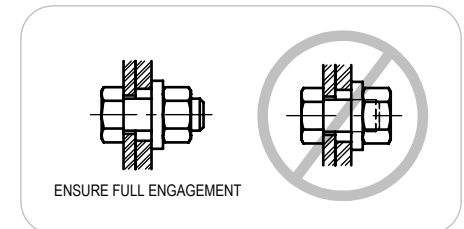


BOLT TIGHTENING

INITIALLY TIGHTEN THE JOINT TO A SNUG TIGHT CONDITION. SNUG TIGHT IS WHEN THE BOLTED CONNECTION HAS BEEN TIGHTENED TO A POINT WHERE ALL THE COMPONENTS ARE IN FIRM CONTACT.



ENSURE THAT THE NUT IS FULLY ENGAGED WITH THE BOLT AND THAT A FEW THREADS PROJECT FROM THE REAR OF THE BOLT AFTER THE JOINT IS IN A SNUG TIGHT CONDITION. OTHERWISE, A LONGER BOLT WILL BE NEEDED TO ENSURE FULL STRENGTH.

DO NOT OVERTIGHTEN BOLTS. ONLY TIGHTEN THE JOINT BY 1/3 OF A TURN PAST THE SNUG TIGHT CONDITION

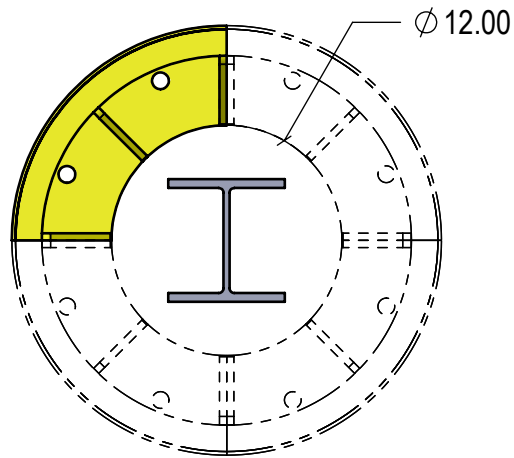


TOOLS REQUIRED FOR INSTALLATION

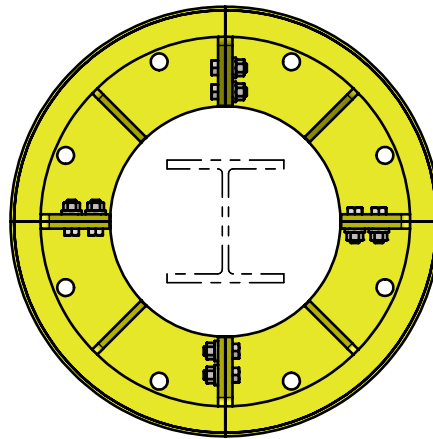
- MEASURING TAPE
- CHALK LINE
- 2FT LEVEL
- HAMMER DRILL WITH A 1/2" DRILL BIT
- 3/4" SOCKET AND WRENCH

 3rd Angle	SIZE: A	
DESCRIPTION: COLUMN GUARD INSTALLATION		
SCALE: NTS	SHEETS: 1 of 1	DRAWING NUMBER: INS-01.01-R1

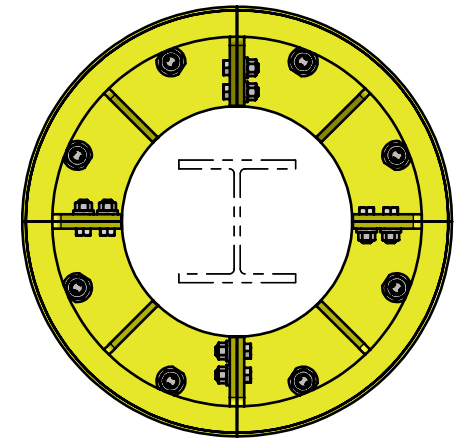
INSTALLATION INSTRUCTIONS



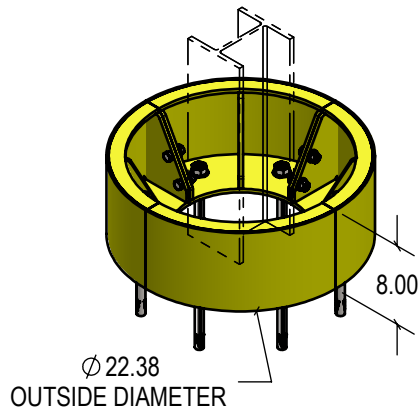
STEP 1:
POSITION THE COLUMN GUARDS
AROUND COLUMN



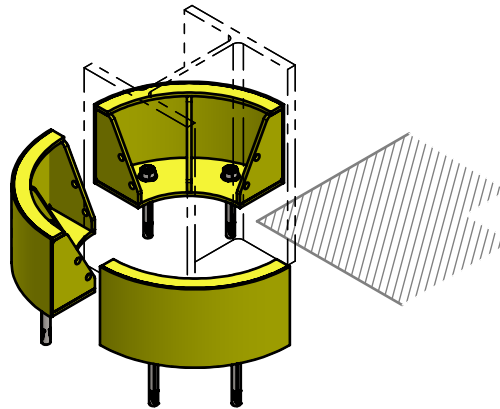
STEP 2:
BOLT THE COLUMN GUARD
SECTIONS TOGETHER





STEP 3:
LAG THE COLUMN GUARD
SECTIONS TO THE FLOOR
USING PROVIDED ANCHORS
AND SPECIFICATIONS



**COMPLETED COLUMN GUARD
INSTALLATION**



*COLUMN GUARDS CAN BE
MOUNTED SEPARATELY TO FIT
AROUND LARGER ITEMS OR
OMITTED TO AVOID OBSTACLES*

 3rd Angle	SIZE: A	
	DESCRIPTION: COLUMN GUARD INSTALLATION	
SCALE: 1:10	SHEETS: 1 of 1	DRAWING NUMBER: INS-15.01-R1