

## INSTALLATION NOTES

### INSPECT THE SITE AND ENSURE ALL PARTS ARE PRESENT

CLEAN THE AREA OF ANY DEBRIS BEFORE INSTALLING GUARDRAILS AND ACCESSORIES

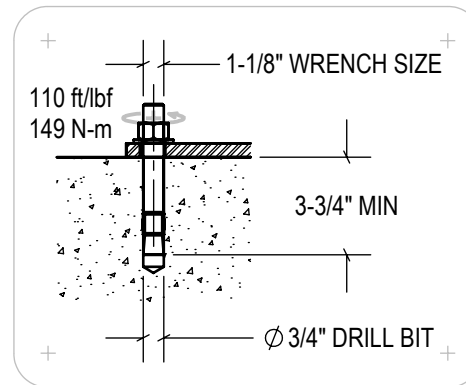
### SAFETY PRECAUTIONS

USE APPROPRIATE PERSONAL PROTECTIVE EQUIPMENT SUCH AS GLOVES, SAFETY GLASSES, HEARING PROTECTION AND PROTECTIVE SHOES.

### ANCHOR BOLTS

THE SUPPLIED ANCHOR BOLTS REQUIRE AN MINIMUM EMBEDDED DEPTH OF 3-3/4"

TIGHTEN THE NUT TO THE INSTALLATION TORQUE OF 110 ft/lbf [149 N-m]

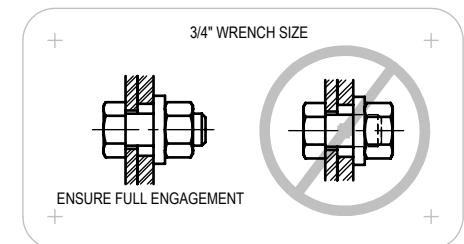


### BOLT TIGHTENING

INITIALLY TIGHTEN THE JOINT TO A SNUG TIGHT CONDITION. SNUG TIGHT IS WHEN THE BOLTED CONNECTION HAS BEEN TIGHTENED TO A POINT WHERE ALL THE COMPONENTS ARE IN FIRM CONTACT.



ENSURE THAT THE NUT IS FULLY ENGAGED WITH THE BOLT AND THAT A FEW THREADS PROJECT FROM THE REAR OF THE BOLT AFTER THE JOINT IS IN A SNUG TIGHT CONDITION. OTHERWISE, A LONGER BOLT WILL BE NEEDED TO ENSURE FULL STRENGTH.

DO NOT OVERTIGHTEN BOLTS. ONLY TIGHTEN THE JOINT BY 1/3 OF A TURN PAST THE SNUG TIGHT CONDITION

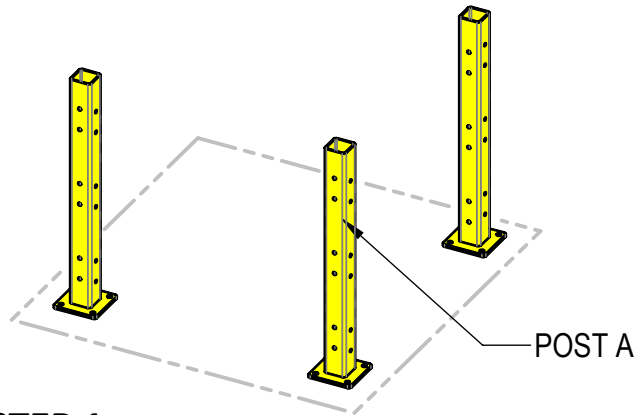


### TOOLS REQUIRED FOR INSTALLATION

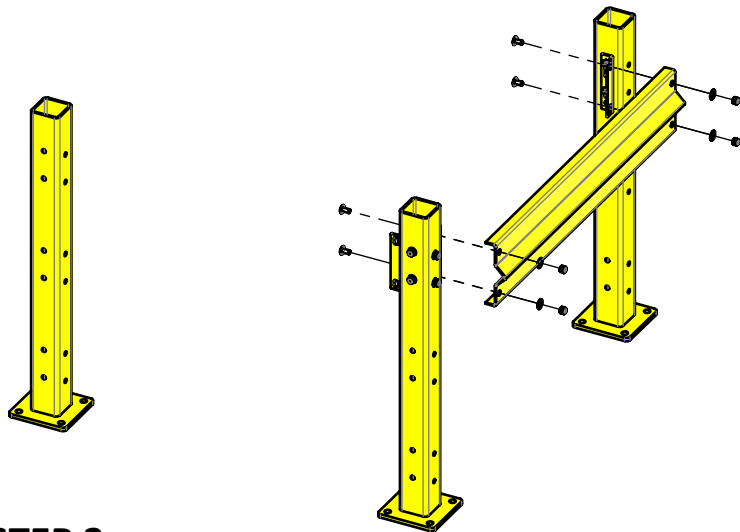
- MEASURING TAPE
- CHALK LINE
- 2FT LEVEL
- HAMMER DRILL WITH A 3/4" DRILL BIT
- 1-1/8" AND 3/4" RACHET SOCKETS AND WRENCH

 3rd Angle	SIZE: <b>A</b>	
DESCRIPTION: <b>ANCHOR AND BOLT TECHNIQUE</b>		
SCALE: <b>NTS</b>	SHEETS: <b>1 of 1</b>	DRAWING NUMBER: <b>INS-01.01-R2</b>

# INSTALLATION INSTRUCTIONS

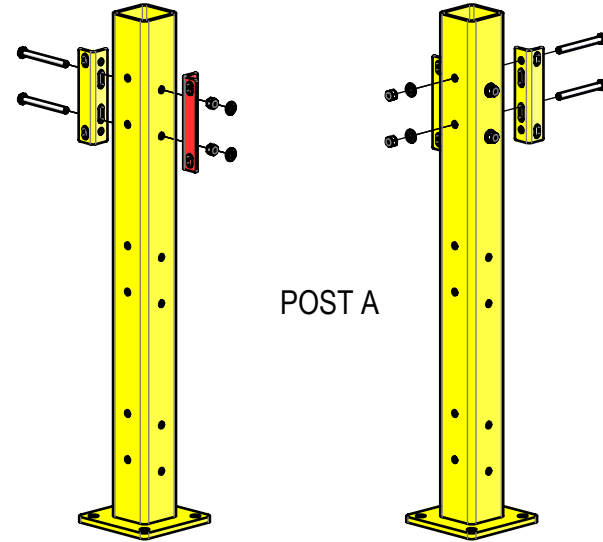


**STEP 1:**  
 POSITION POSTS IN THE DESIRED LOCATION  
 MEASURE AND MARK LAYOUT.  
 DO NOT LAG POSTS TO THE FLOOR.





**STEP 3:**  
 ATTACH THE RAILS TO THE BRACKETS

- ENSURE THAT ALL CONNECTIONS ARE HAND-TIGHT TO ALLOW FOR ADJUSTMENTS

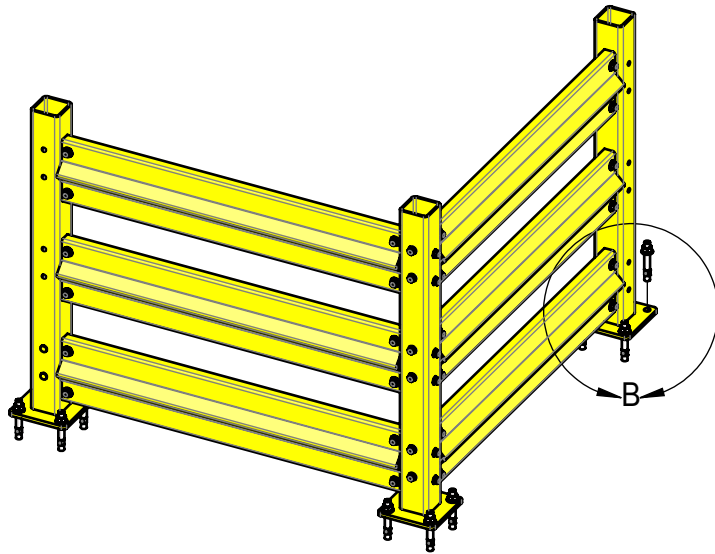


**STEP 2:**  
 ASSEMBLE BRACKETS TO THE POSTS

- USE PROVIDED NUTS, WASHERS & THROUGH BOLTS.
- BRACKETS ON OPPOSITE SIDES SHARE FASTENERS (SHOWN AS RED BRACKET FOR ILLUSTRATIVE PURPOSES).

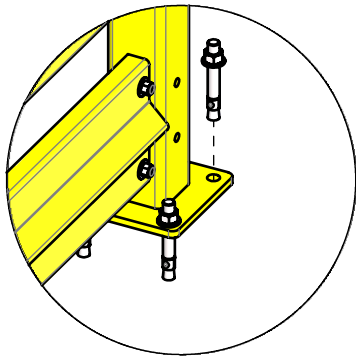
 3rd Angle	SIZE: <b>A</b>	
	DESCRIPTION: <b>GUARDRAIL SYSTEM INSTALLATION</b>	
SCALE: <b>1:32</b>	SHEETS: <b>1 of 2</b>	DRAWING NUMBER: <b>INS-05.01-R2</b>

# INSTALLATION INSTRUCTIONS

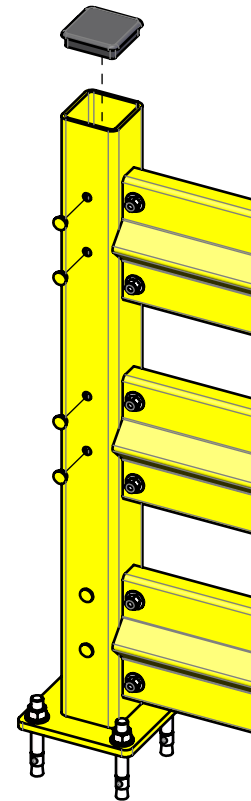


## STEP 4:

- CHECK THE POSITION OF THE POSTS & RAILINGS TO ENSURE SQUARENESS & ALIGNMENT
- IF SATISFIED, LAG POSTS TO THE FLOOR USING PROVIDED ANCHORS AND SPECIFICATIONS





DETAIL B  
SCALE 1 : 12



## STEP 5:

- ADD POST CAPS & PLUGS
- ADD POST PLUGS TO UNUSED HOLES BY GENTLY PUSHING INTO PLACE

 3rd Angle	SIZE: <b>A</b>	
DESCRIPTION: <b>GUARDRAIL SYSTEM INSTALLATION</b>		
SCALE: <b>1:24</b>	SHEETS: <b>2 of 2</b>	DRAWING NUMBER: <b>INS-05.01-R2</b>