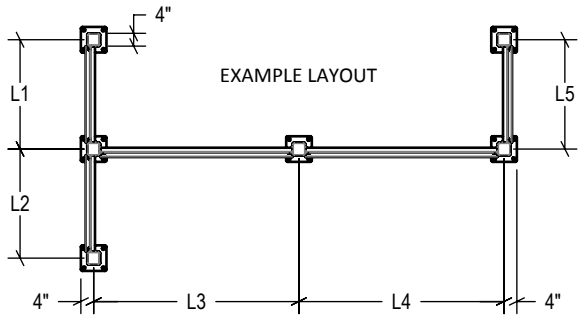


GUARDRAIL SYSTEM PLANNING

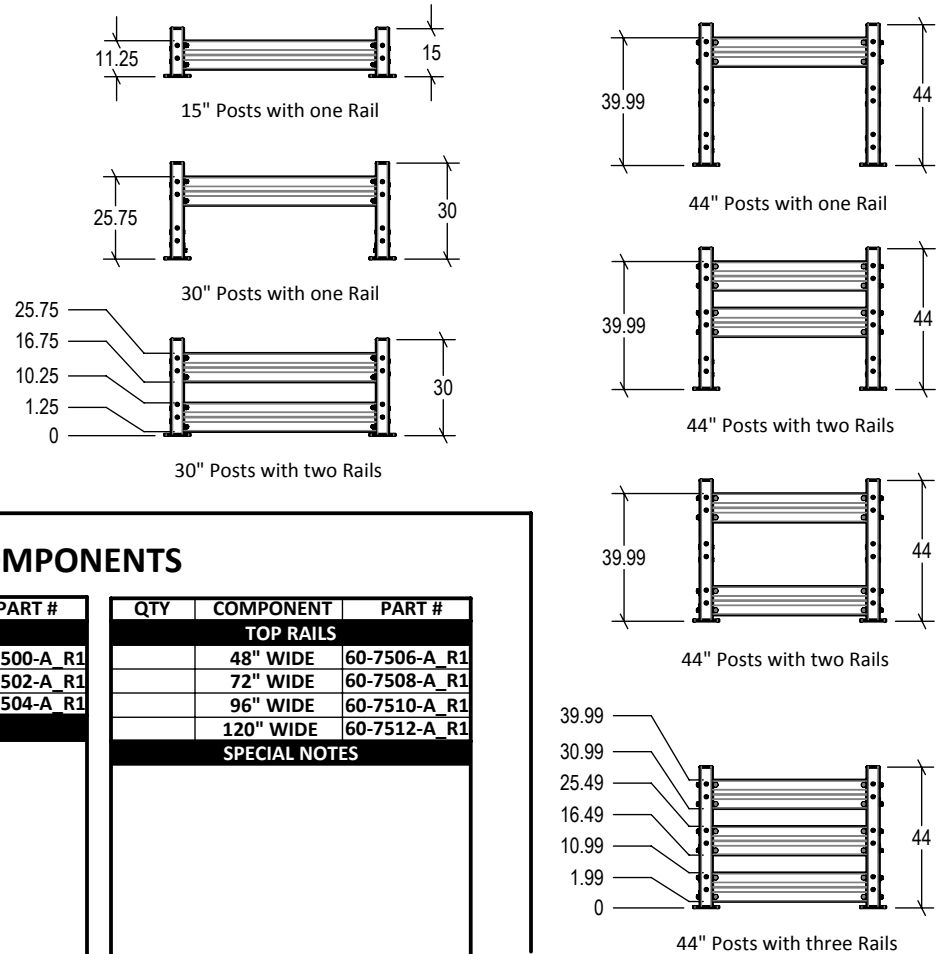
STEP 1: DETERMINE FLOOR LAYOUT

SKETCH LAYOUT IN PLAN VIEW WITH POST LOCATIONS AND RAIL SPACING

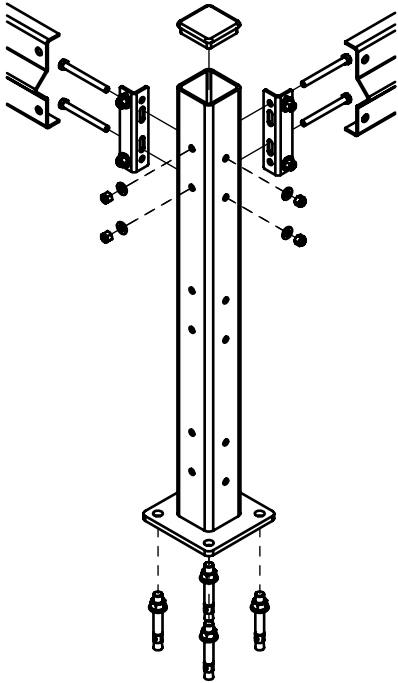


CENTER TO CENTER OF POST (L) = GUARDRAIL LENGTH + 4"
OUTSIDE DIMENSION OF POST BASE = 4"

STEP 2: CHOOSE POST SIZE AND RAIL CONFIGURATION



STEP 3: UNDERSTAND ASSEMBLY



STEP 4: ORDER COMPONENTS

QTY	COMPONENT	PART #
POSTS		
	15" HIGH	60-7500-A R1
	30" HIGH	60-7502-A R1
	44" HIGH	60-7504-A R1
SPECIAL NOTES		

QTY	COMPONENT	PART #
TOP RAILS		
	48" WIDE	60-7506-A R1
	72" WIDE	60-7508-A R1
	96" WIDE	60-7510-A R1
	120" WIDE	60-7512-A R1
SPECIAL NOTES		

DRAWN BY:
TIM CHUNG

CHECKED BY:

DATE:
30/08/2018

DATE:

3rd Angle

SIZE:
A



DESCRIPTION:

GUARDRAIL SYSTEM PLANNING

SCALE: 1:60	SHEETS: 1 of 1	DRAWING NUMBER: INS-30.01-R2
----------------	-------------------	--

THE INFORMATION CONTAINED IN THIS DRAWING IS THE SOLE PROPERTY OF IRONGUARD SAFETY PRODUCTS ANY REPRODUCTION IN PART OR AS A WHOLE IS PROHIBITED.